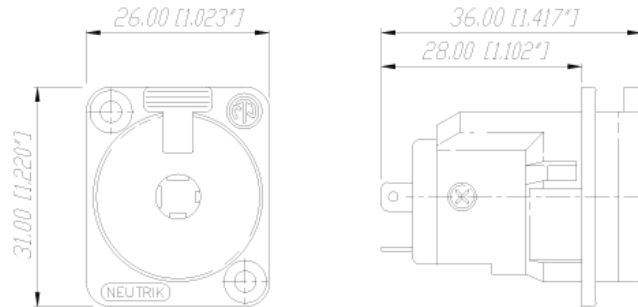


NJ3FP6C

Locking 1/4 Inch phone jack. Same shell as D-Series.



Jacks / Locking 1/4" Chassis Jacks

Mates with all mono or stereo plugs specified to EIA RS 453 dimensionally compatible with D-series.

TECHNICAL DATA

Electrical

Contact resistance - initial: < 6 m Ω

- after life test: < 15 m Ω

Insulation resistance - initial: > 2 G Ω

- after damp heat test: = 1 G Ω

Dielectric strength: 1.5 kV dc

Rated current: 10 A

Mechanical

Life: > 10000 cycles

Insertion / withdrawal force: < 19 N / < 22 N

Locking force: > 80 N

Wire size: 1 mm² / 18 AWG max. for soldering tag

Cable O.D. (FC 6 only): 3.5 mm - 8.0 mm

Solderability: compiles with IEC 68-2-20

Materials

Shell / Handle: ZnAl4Cu1 nickel plated or black coated

FP6P: PA 6.6 30% GR

Insulation: PA 6.6 30% GR

Contacts: CuBe2 / CuZn37 (ground) 2 μ m Ag plated

Chuck: POM

Temperature range: -20°C to +65°C