

UTC TA7640AP LINEAR INTEGRATED CIRCUIT

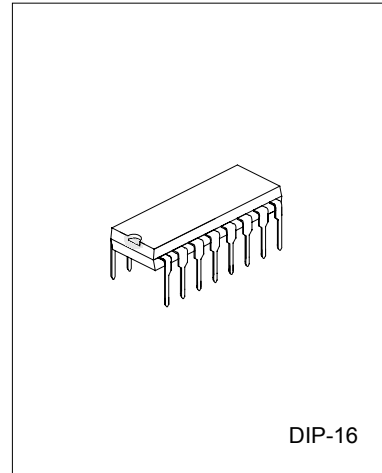
AM/FM IF PROCESSOR

DESCRIPTION

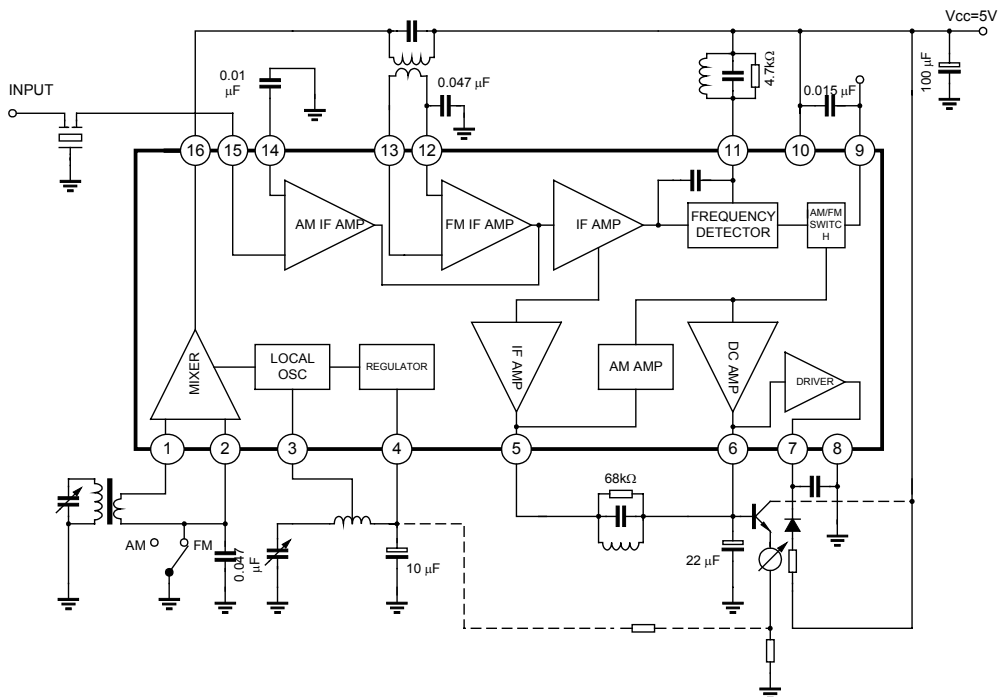
The UTC TA7640AP Is A Monolithic Integrated Circuit Designed For The Radios Cassette Tape Recorder.

FEATURES

- *Low Operating Current
- *Low External Component
- *Internal AM/FM Switch
- *Wide Operating Voltage : $V_{cc}=3.8V$



BLOCK DIAGRAM



UTC TA7640AP LINEAR INTEGRATED CIRCUIT

ABSOLUTE MAXIMUM RATINGS(Ta=25°C)

PARAMETER	SYMBOL	VALUE	UNIT
Voltage	VCC	8	V
Led Driving Current	ILAMP	10	mA
Power Dissipation	PD	750	mW
Operating Temperature	TOPR	-25 ~ +75	°C
Storage Temperature	TSTG	-55 ~ +150	°C

NOTE :Ta>25°C,6mw/°C

DC ELECTRICAL CHARACTERISTICS(VCC=5V)

PARAMETER	SYMBOL	TYP		UNIT
		AM	FM	
Pin 1 AM Mixer Input	V1	1.5	0	V
Pin 2 AM Mixer Bypass	V2	1.5	0	V
Pin 3 AM Local OSC	V3	2.3	2.3	V
Pin 4 Voltage Regulator	V4	2.3	2.3	V
Pin 5 AM IF Out	V5	1	0.9	V
Pin 6 Level Meter Out	V6	1	0.9	V
Pin 7 Led Driver Output	V7			V
Pin 8 GND	V8	0	0	V
Pin 9 Dectector	V9	1.4	1.5	V
Pin 10 Vcc	V10	5	5	V
Pin 11 FM Decter Out	V11	5	5	V
Pin 12 AM IF Bypass	V12	1.5	1.5	V
Pin 13 AM IF Input	V13	1.5	1.5	V
Pin 14 AM IFBypass	V14	1.5	1.5	V
Pin 15 FM IF Input	V15	1.5	1.5	V
Pin 16 AM Mixer Output	V16	5	5	V

AC ELECTRICAL CHARACTERISTICS(Ta=25°C,Vcc=5V,FM;f=10.7MHz, Δf=22.5KHz, FM=400Hz AM; f=1MHz, Mod=30%,FM=400Hz)

PARAMETER	SYMBOL	CHART	TEST CONDITIONS	MIN	TYP	MAX	UNIT
Supply Current	ICC(1)	1	FM VIN=0		10	15	mA
	ICC(2)		AM VIN=0		7	10	
FM							
Input Limiting Voltage	VIN(lim)	1	-3dB		40	46	dBμ
Detector Output	VOD	1	VIN=66dBμ	57	85	114	mVrms
Signal Noise Ratio	S/N	1	VIN=80dBμ		65		dB
Total Harmonic Distortion	THD	1	VIN=80dBμ		0.05		%
Am Rejection	AMR	1	VIN=80dBμ		38		dBμ

UTC

UNISONIC TECHNOLOGIES CO., LTD.

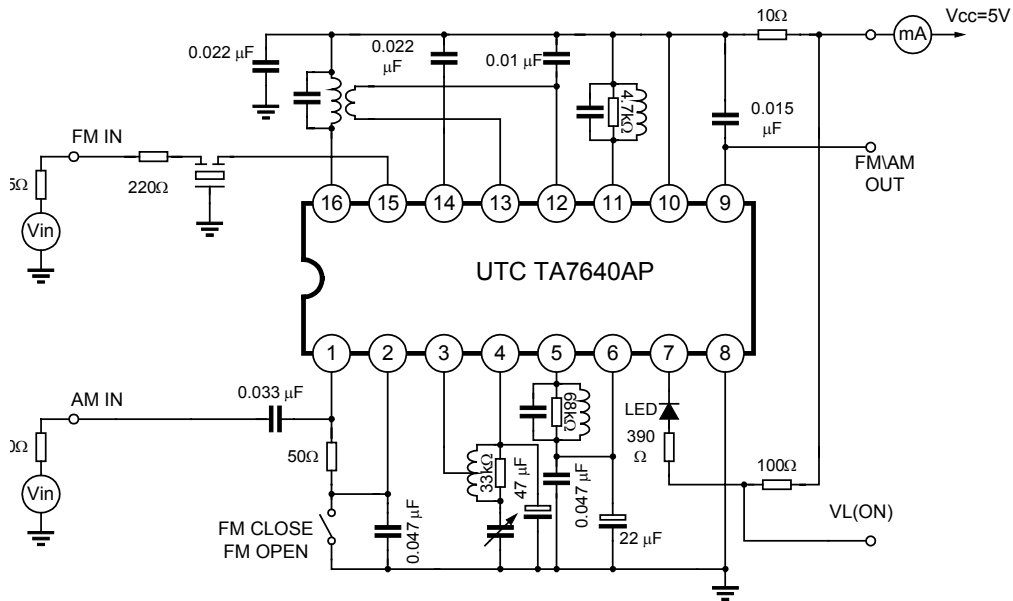
2

QW-R110-007,A

UTC TA7640AP LINEAR INTEGRATED CIRCUIT

PARAMETER	SYMBOL	CHART	TEST CONDITIONS	MIN	TYP	MAX	UNIT
Level Meter Driving Voltage	VM	1	VIN=100dBμ	1.6	1.75	1.9	V
Led Driving Sensitivity	VL	1	IL=1mA		46	52	dB
AM							
Gain	GV	1	VIN=26dBμ	20	30	60	mVrms
Detector Output Voltage	VOD	1	VIN=60dBμ	65	95	125	mVrms
Signal To Noise Ratio	S/N	1	VIN=60dBμ		47		dB
Total Harmonic Distortion	THD	1	VIN=60dBμ		1		%
Signal Meter Output	VM	1	VIN=100dBμ	1.6	1.75	1.9	V
Level Meter Driving Voltage	VL	1	IL=1mA		32		dBμ
Oscillation Stop Voltage	Vstop	1	RDUMP=∞		1.5		V
Pin 5 Output Impedance	R09		f=1KHZ		3		KΩ

TEST CIRCUIT



UTC TA7640AP LINEAR INTEGRATED CIRCUIT

UTC assumes no responsibility for equipment failures that result from using products at values that exceed, even momentarily, rated values (such as maximum ratings, operating condition ranges, or other parameters) listed in products specifications of any and all UTC products described or contained herein. UTC products are not designed for use in life support appliances, devices or systems where malfunction of these products can be reasonably expected to result in personal injury. Reproduction in whole or in part is prohibited without the prior written consent of the copyright owner. The information presented in this document does not form part of any quotation or contract, is believed to be accurate and reliable and may be changed without notice.

UTC

UNISONIC TECHNOLOGIES CO., LTD.

4

QW-R110-007,A