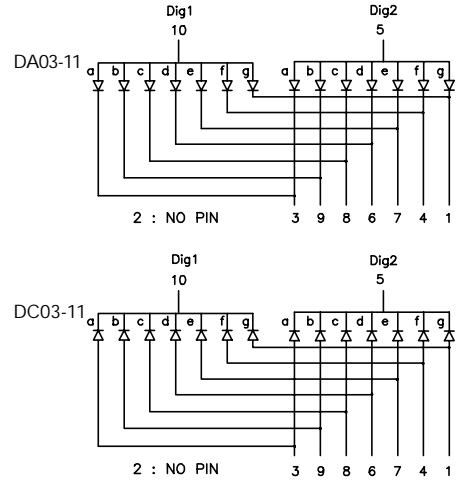
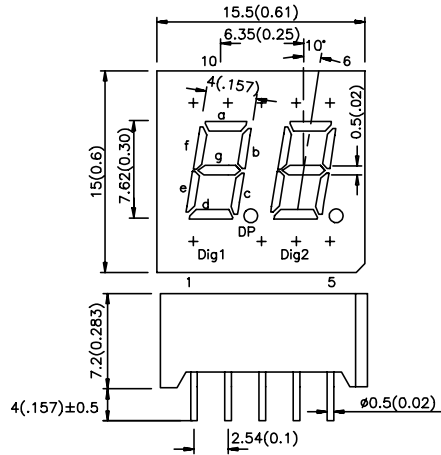


DA/DC03 Series



NOTES:

1. All dimensions are in millimeters (inches)
2. Tolerance is $\pm 0.25\text{mm}(0.01\text{'})$ unless otherwise noted.