

DATA SHEET

BFQ34

NPN 4 GHz wideband transistor

Product specification
File under Discrete Semiconductors, SC14

September 1995

NPN 4 GHz wideband transistor

BFQ34

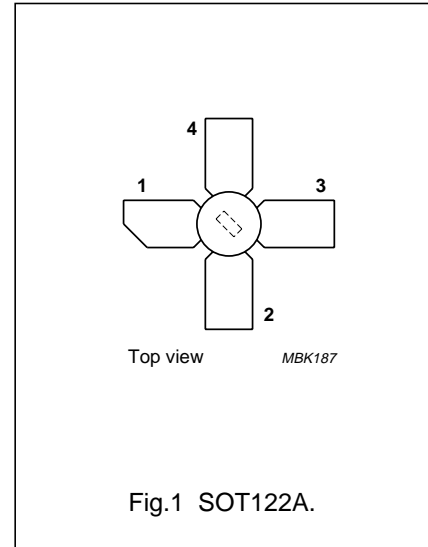
DESCRIPTION

NPN transistor encapsulated in a 4 lead SOT122A envelope with a ceramic cap. All leads are isolated from the stud.

It is primarily intended for driver and final stages in MATV system amplifiers. It is also suitable for use in low power band IV and V equipment. Diffused emitter-ballasting resistors and the application of gold sandwich metallization ensure an optimum temperature profile and excellent reliability properties. The device also features high output voltage capabilities.

PINNING

PIN	DESCRIPTION
Code: BFQ34/01	
1	collector
2	emitter
3	base
4	emitter



QUICK REFERENCE DATA

SYMBOL	PARAMETER	CONDITIONS	TYP.	MAX.	UNIT
V_{CBO}	collector-base voltage	open emitter	–	25	V
V_{CEO}	collector-emitter voltage	open base	–	18	V
I_C	collector current		–	150	mA
P_{tot}	total power dissipation	up to $T_c = 160\text{ °C}$	–	2.7	W
f_T	transition frequency	$I_C = 150\text{ mA}; V_{CE} = 15\text{ V}; f = 500\text{ MHz}$	4	–	GHz
V_o	output voltage	$I_C = 120\text{ mA}; V_{CE} = 15\text{ V}; R_L = 75\text{ }\Omega;$ $T_{amb} = 25\text{ °C}; d_{im} = -60\text{ dB}$ $f_{(p+q-r)} = 793.25\text{ MHz}$	1.2	–	V
P_{L1}	output power at 1 dB gain compression	$I_C = 120\text{ mA}; V_{CE} = 15\text{ V}; R_L = 75\text{ }\Omega;$ $f = 800\text{ MHz}; T_{amb} = 25\text{ °C}$	26	–	dBm
ITO	third order intercept point	$I_C = 120\text{ mA}; V_{CE} = 15\text{ V}; R_L = 75\text{ }\Omega;$ $T_{amb} = 25\text{ °C}$	45	–	dBm

WARNING

Product and environmental safety - toxic materials

This product contains beryllium oxide. The product is entirely safe provided that the BeO disc is not damaged. All persons who handle, use or dispose of this product should be aware of its nature and of the necessary safety precautions. After use, dispose of as chemical or special waste according to the regulations applying at the location of the user. It must never be thrown out with the general or domestic waste.

NPN 4 GHz wideband transistor

BFQ34

LIMITING VALUES

In accordance with the Absolute Maximum System (IEC 134).

SYMBOL	PARAMETER	CONDITIONS	MIN.	MAX.	UNIT
V_{CBO}	collector-base voltage	open emitter	–	25	V
V_{CEO}	collector-emitter voltage	open base	–	18	V
V_{EBO}	emitter-base voltage	open collector	–	2	V
I_C	DC collector current		–	150	mA
P_{tot}	total power dissipation	up to $T_C = 160\text{ °C}$	–	2.7	W
T_{stg}	storage temperature		–65	150	°C
T_j	junction temperature		–	200	°C

THERMAL RESISTANCE

SYMBOL	PARAMETER	THERMAL RESISTANCE
$R_{th\ j-c}$	thermal resistance from junction to case	15 K/W

NPN 4 GHz wideband transistor

BFQ34

CHARACTERISTICS

$T_j = 25\text{ }^\circ\text{C}$ unless otherwise specified.

SYMBOL	PARAMETER	CONDITIONS	MIN.	TYP.	MAX.	UNIT
I_{CBO}	collector cut-off current	$I_E = 0; V_{CB} = 15\text{ V}$	–	–	100	μA
h_{FE}	DC current gain	$I_C = 75\text{ mA}; V_{CE} = 15\text{ V}$	25	70	–	
		$I_C = 150\text{ mA}; V_{CE} = 15\text{ V}$	25	70	–	
f_T	transition frequency	$I_C = 75\text{ mA}; V_{CE} = 15\text{ V}; f = 500\text{ MHz}$	3	3.5	–	GHz
		$I_C = 150\text{ mA}; V_{CE} = 15\text{ V}; f = 500\text{ MHz}$	3.5	4	–	GHz
C_c	collector capacitance	$I_E = 0; V_{CB} = 15\text{ V}; f = 1\text{ MHz}$	–	2	2.75	pF
C_e	emitter capacitance	$I_C = 0; V_{EB} = 0.5\text{ V}; f = 1\text{ MHz}$	–	11	–	pF
C_{re}	feedback capacitance	$I_C = 10\text{ mA}; V_{CE} = 15\text{ V}; f = 1\text{ MHz}; T_{amb} = 25\text{ }^\circ\text{C}$	–	1	1.35	pF
C_{C-s}	collector-stud capacitance	note 1	–	0.8	–	pF
F	noise figure (see Fig.2)	$I_C = 120\text{ mA}; V_{CE} = 15\text{ V}; f = 500\text{ MHz}; T_{amb} = 25\text{ }^\circ\text{C}$	–	8	–	dB
G_{UM}	maximum unilateral power gain (note 2)	$I_C = 120\text{ mA}; V_{CE} = 15\text{ V}; f = 500\text{ MHz}; T_{amb} = 25\text{ }^\circ\text{C}$	–	16.3	–	dB
V_o	output voltage	Figs 2 and 7 and note 3	–	1.2	–	V
P_{L1}	output power at 1 dB gain compression (see Fig.2)	note 4	–	26	–	dBm
ITO	third order intercept point (see Fig.2)	note 5	–	45	–	dBm

Notes

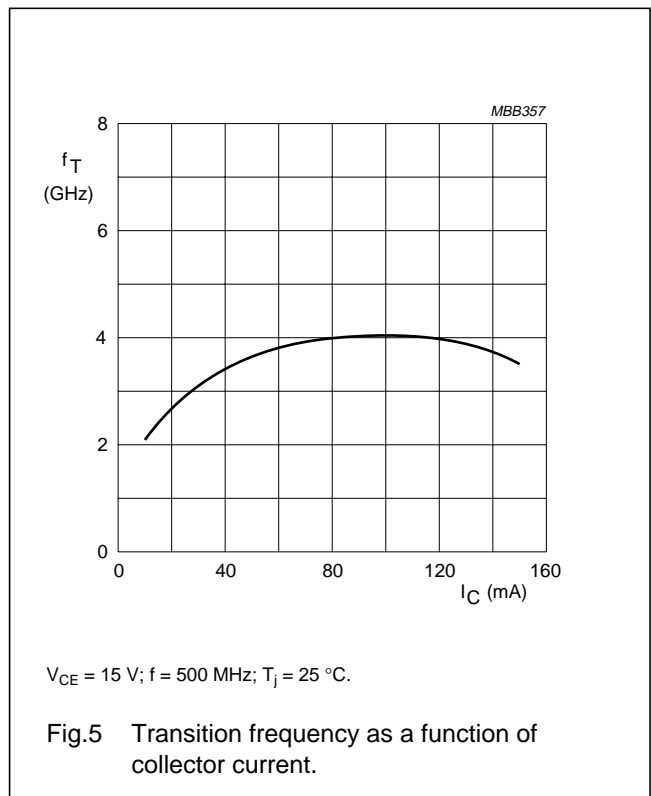
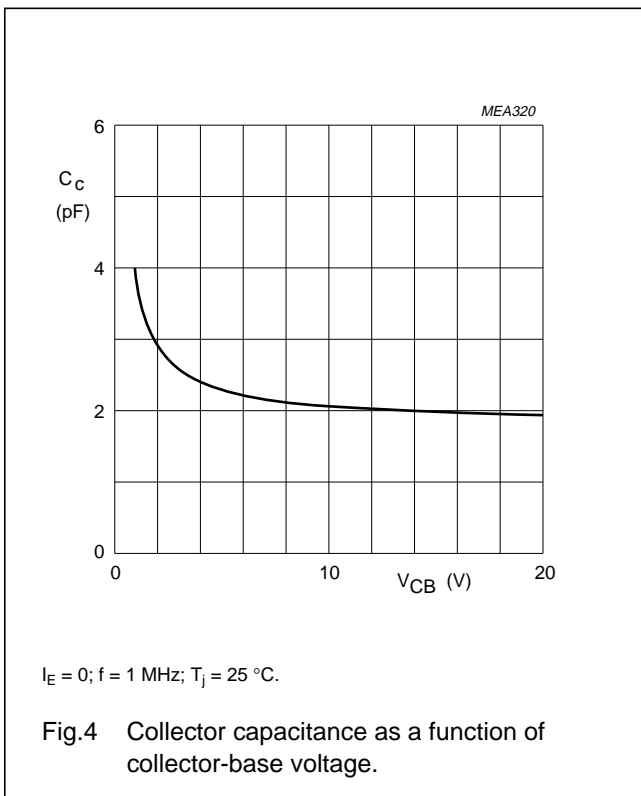
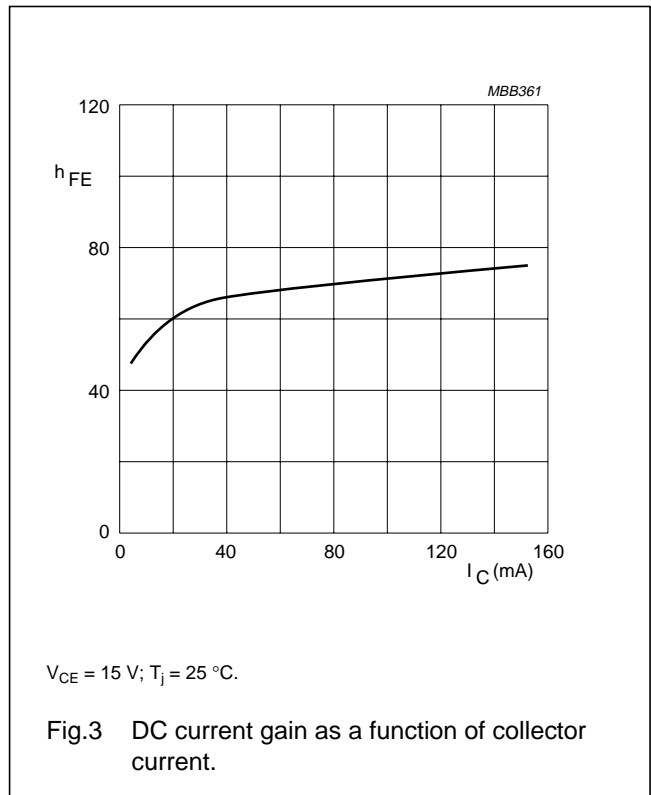
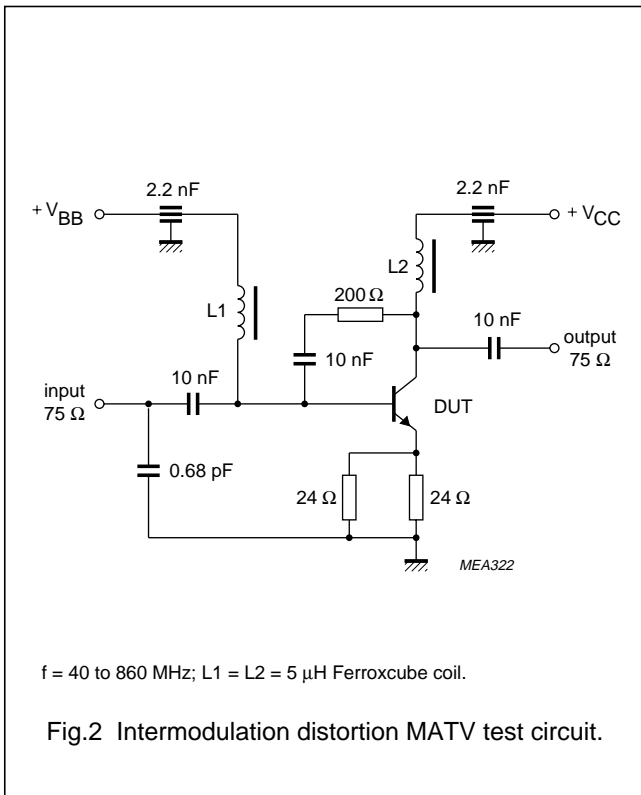
1. Measured with grounded emitter and base.
2. G_{UM} is the maximum unilateral power gain, assuming S_{12} is zero and

$$G_{UM} = 10 \log \left(\frac{|S_{21}|^2}{(1 - |S_{11}|^2)(1 - |S_{22}|^2)} \right) \text{dB.}$$

3. $d_{im} = -60\text{ dB}$ (DIN 45004B, par. 6.3.: 3-tone); $I_C = 120\text{ mA}; V_{CE} = 15\text{ V}; R_L = 75\text{ }\Omega; T_{amb} = 25\text{ }^\circ\text{C};$
 $V_p = V_o$ at $d_{im} = -60\text{ dB}; f_p = 795.25\text{ MHz};$
 $V_q = V_o - 6\text{ dB}; f_q = 803.25\text{ MHz};$
 $V_r = V_o - 6\text{ dB}; f_r = 805.25\text{ MHz};$
measured at $f_{(p+q-r)} = 793.25\text{ MHz}.$
4. $I_C = 120\text{ mA}; V_{CE} = 15\text{ V}; T_{amb} = 25\text{ }^\circ\text{C}; R_L = 75\text{ }\Omega;$
measured at $f = 800\text{ MHz}.$
5. $I_C = 120\text{ mA}; V_{CE} = 15\text{ V}; R_L = 75\text{ }\Omega; T_{amb} = 25\text{ }^\circ\text{C};$
 $P_p = \text{ITO} - 6\text{ dB}; f_p = 800\text{ MHz};$
 $P_q = \text{ITO} - 6\text{ dB}; f_q = 801\text{ MHz};$
measured at $f_{(2q-p)} = 802\text{ MHz}$ and at $f_{(2p-q)} = 799\text{ MHz}.$

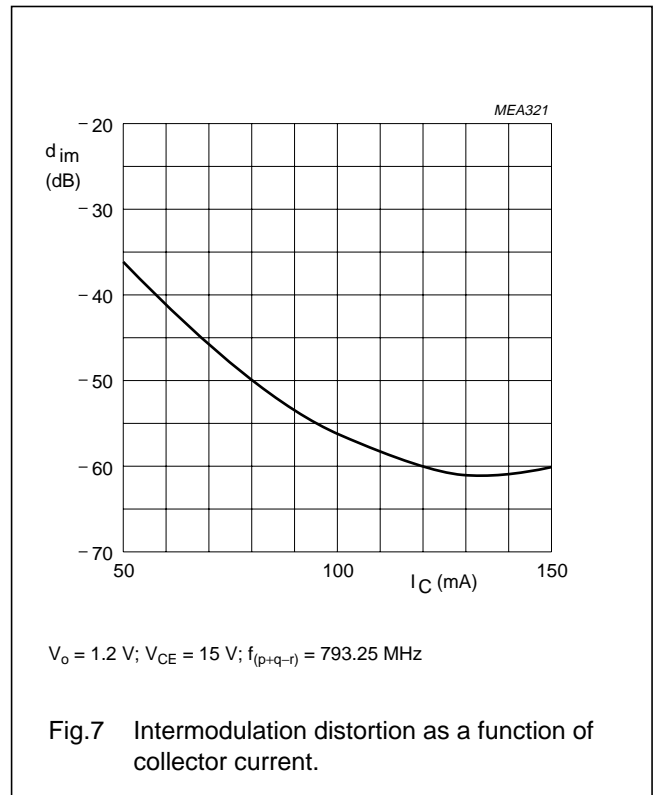
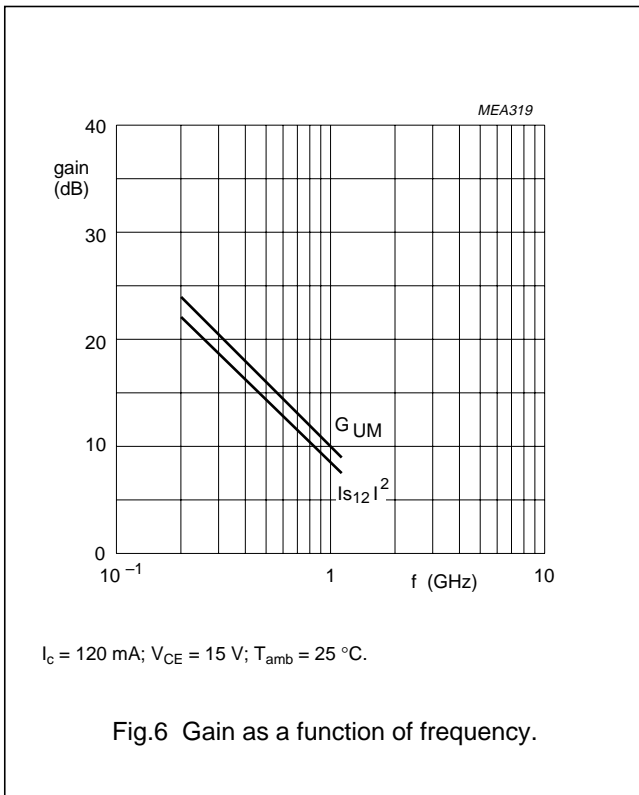
NPN 4 GHz wideband transistor

BFQ34



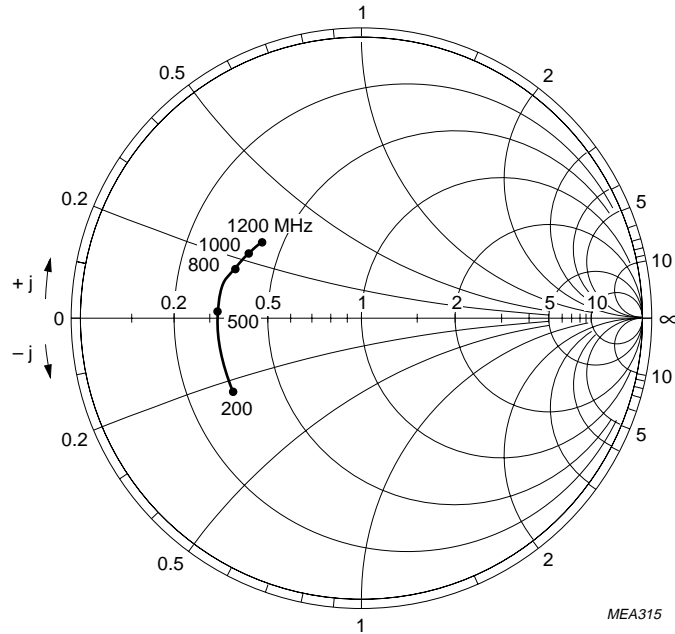
NPN 4 GHz wideband transistor

BFQ34



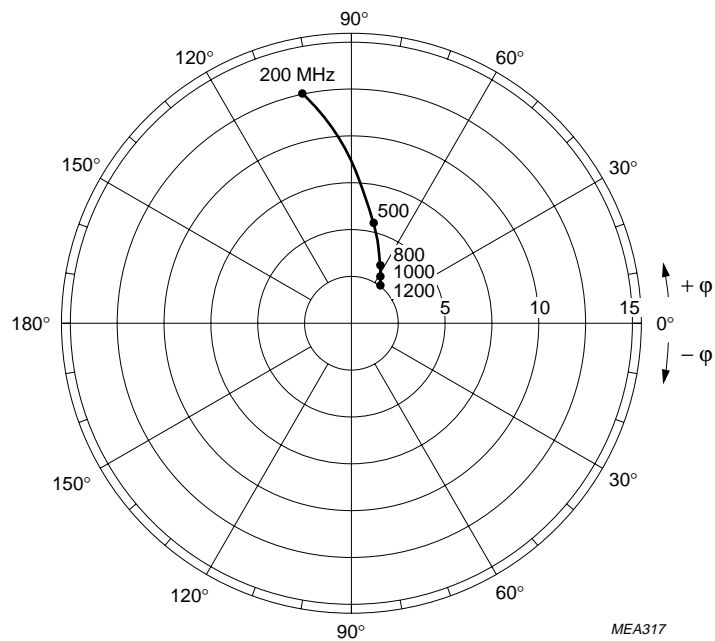
NPN 4 GHz wideband transistor

BFQ34



$I_c = 120 \text{ mA}$; $V_{CE} = 15 \text{ V}$; $T_{amb} = 25 \text{ }^\circ\text{C}$.
 $Z_o = 50 \text{ } \Omega$.

Fig.8 Common emitter input reflection coefficient (S_{11}).

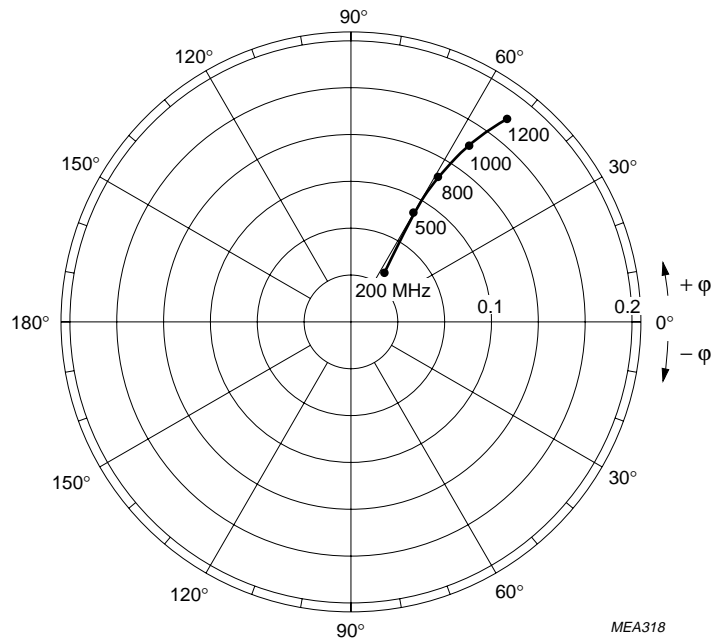


$I_c = 120 \text{ mA}$; $V_{CE} = 15 \text{ V}$; $T_{amb} = 25 \text{ }^\circ\text{C}$.

Fig.9 Common emitter forward transmission coefficient (S_{21}).

NPN 4 GHz wideband transistor

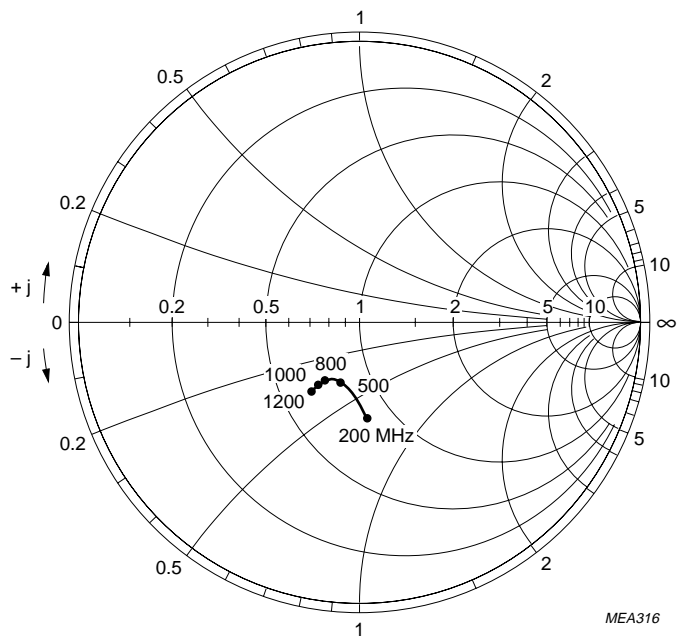
BFQ34



$I_c = 120 \text{ mA}$; $V_{CE} = 15 \text{ V}$; $T_{amb} = 25 \text{ }^\circ\text{C}$.

MEA318

Fig.10 Common emitter reverse transmission coefficient (S_{12}).



$I_c = 120 \text{ mA}$; $V_{CE} = 15 \text{ V}$; $T_{amb} = 25 \text{ }^\circ\text{C}$.
 $Z_0 = 50 \text{ } \Omega$.

MEA316

Fig.11 Common emitter output reflection coefficient (S_{22}).

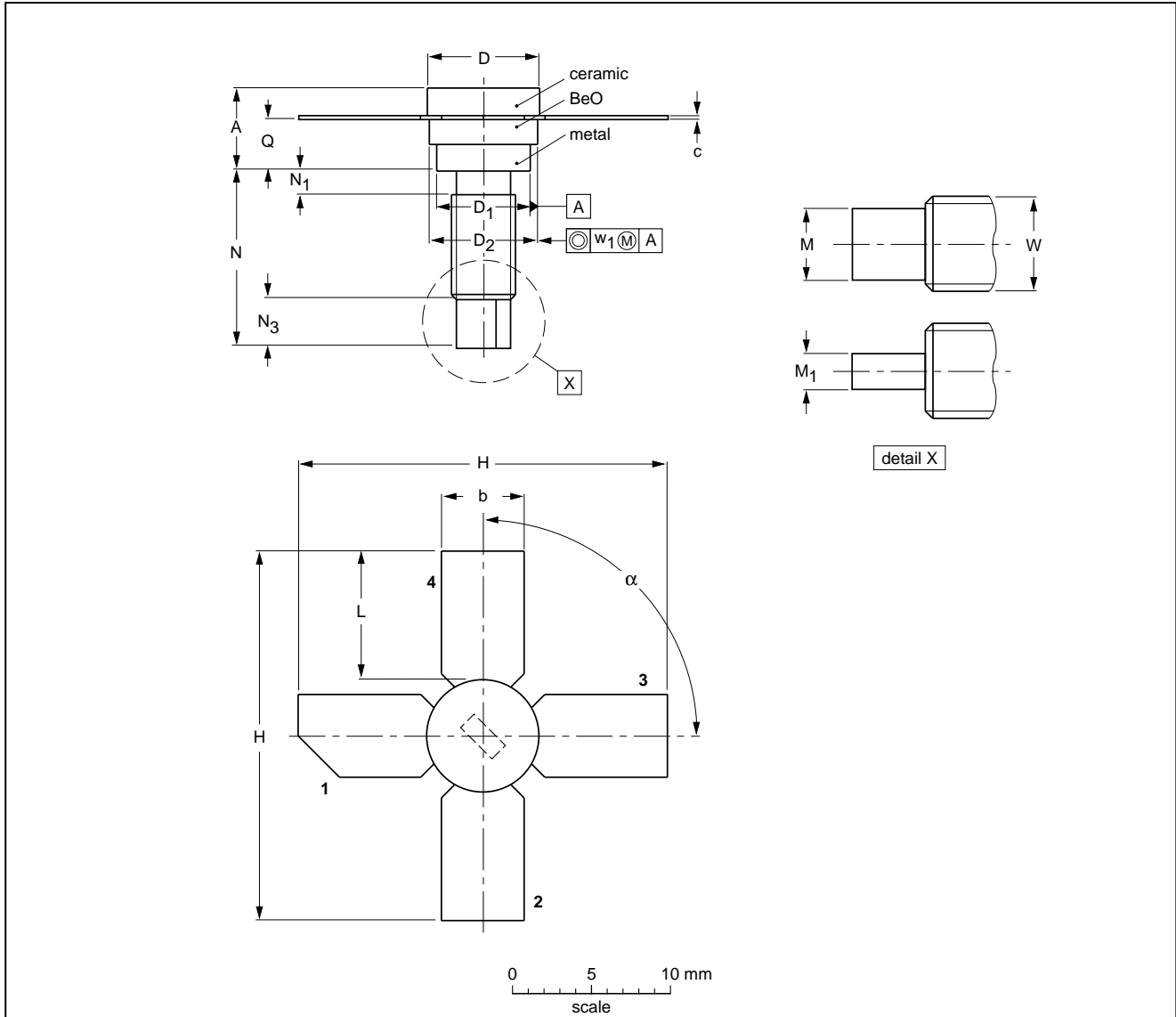
NPN 4 GHz wideband transistor

BFQ34

PACKAGE OUTLINE

Studded ceramic package; 4 leads

SOT122A



DIMENSIONS (millimetre dimensions are derived from the original inch dimensions)

UNIT	A	b	c	D	D ₁	D ₂	H	L	M ₁	M	N	N ₁ max.	N ₃	Q	W	w ₁	α
mm	5.97 4.74	5.85 5.58	0.18 0.14	7.50 7.23	6.48 6.22	7.24 6.93	27.56 25.78	9.91 9.14	3.18 2.66	1.66 1.39	11.82 11.04	1.02	3.86 2.92	3.38 2.74	8-32 UNC	0.381	90°

OUTLINE VERSION	REFERENCES				EUROPEAN PROJECTION	ISSUE DATE
	IEC	JEDEC	EIAJ			
SOT122A						97-04-18

NPN 4 GHz wideband transistor

BFQ34

DEFINITIONS

Data Sheet Status	
Objective specification	This data sheet contains target or goal specifications for product development.
Preliminary specification	This data sheet contains preliminary data; supplementary data may be published later.
Product specification	This data sheet contains final product specifications.
Limiting values	
Limiting values given are in accordance with the Absolute Maximum Rating System (IEC 134). Stress above one or more of the limiting values may cause permanent damage to the device. These are stress ratings only and operation of the device at these or at any other conditions above those given in the Characteristics sections of the specification is not implied. Exposure to limiting values for extended periods may affect device reliability.	
Application information	
Where application information is given, it is advisory and does not form part of the specification.	

LIFE SUPPORT APPLICATIONS

These products are not designed for use in life support appliances, devices, or systems where malfunction of these products can reasonably be expected to result in personal injury. Philips customers using or selling these products for use in such applications do so at their own risk and agree to fully indemnify Philips for any damages resulting from such improper use or sale.